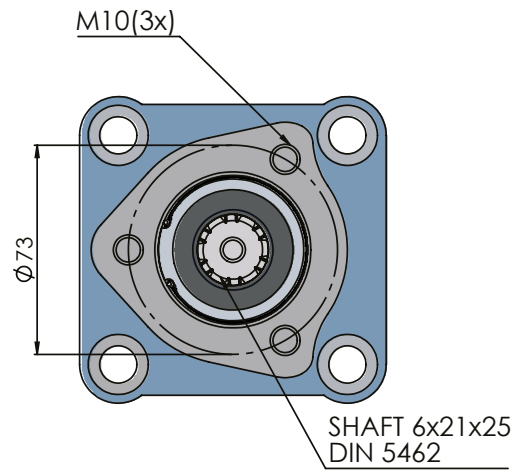


4X3 ISO ADAPTER



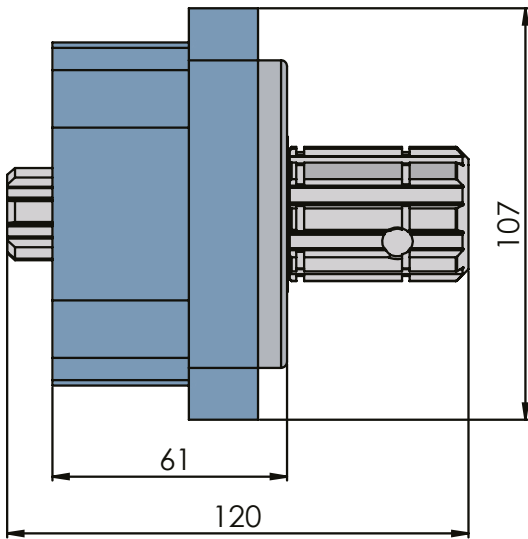
36002002



ADAPTERS
ADAPTÖRLER

HYDRAULIC EQUIPMENT
HİDROLİK EKİPMANLAR

SHAFT 8x32x35
DIN 5462



Ø13mm(4x)

